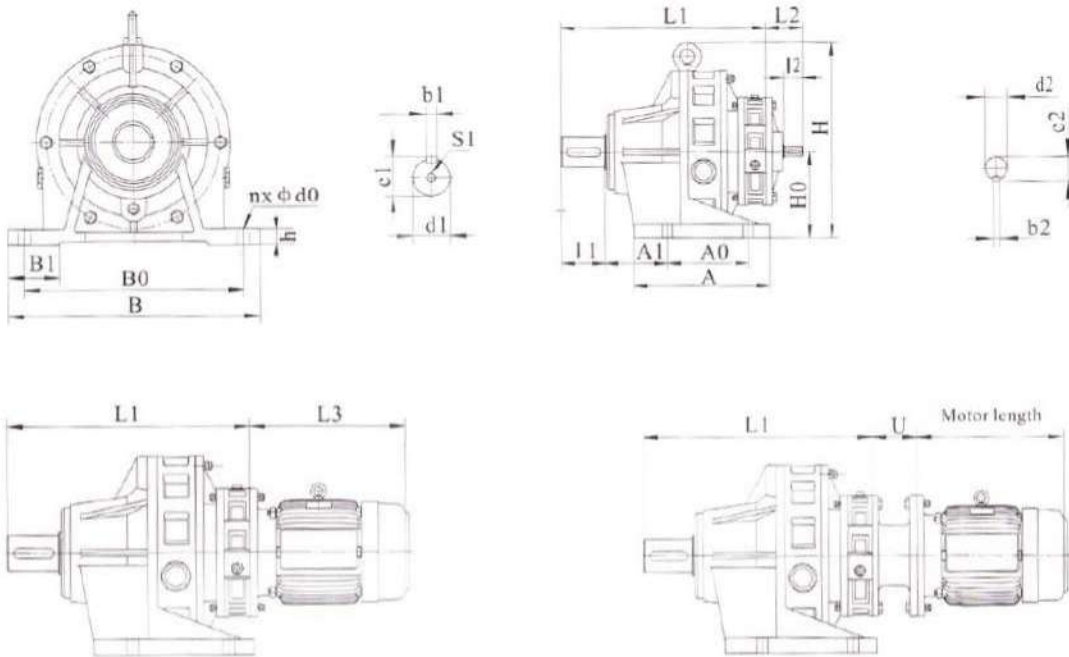


XWD / JXJ SERIES CYCLOID GEAR REDUCER

- Range** : 0.50 to 100 hp
- Ratio** : 11:1, 17:1, 23:1, 29:1, 35:1, 43:1, 59:1, 71:1, 87:1
- Type** : XWD/JXJ Series
- Mounting Type** : Foot / Flange Mounting
- Application** : Line / Kiln / Convair & All Ceramic Industrial
- Industries** : Material Handling, Pharma, Packaging, Food Processing, Ceramic etc.



Outline Dimensions for Horizontal Mounting Single Stage Cycloid Reducer



BWD*-I-P/JXJD*-I-P

BWY*-I-P/JXJY*-I-P

Available Ratio : 11,17,23,29,35,43,59,71

Power : 1HP, 2HP, 3HP, 5HP, 7.5HP

Model	Mounting Dimension								Outline Dimension								Shaft Extension Dimension							
	H0	A1	A0	B1	B0	h	n	d0	H	B	A	L	L1	S1	d1	b1	c1	l1	d2	b2	c2	l2		
JXJ0	100	58	90	38	150	15	4	12	221	185	120	214	164	M8	25	8	33	35	15	5	17	22		
JXJ1	120	69	110	68	240	15	4	13.5	275	280	160	262	194	M10	35	10	38	56	18	6	20.5	35		
JXJ2	140	76	150	60	280	20	4	14.5	306	320	200	320	246	M10	45	14	48.5	68	22	6	24.5	40		
JXJ3	160	79	200	80	340	25	4	19	365	390	250	394	296	M10	55	16	59	80	30	8	33	55		
JXJ4	200	93	260	75	380	30	4	22	425	430	320	497	372	M12	65	20	74.5	113	35	10	38.5	78		
JXJ5	240	56	340	80	440	34	4	22	519	490	400	617	447	M16	80	25	95	120	45	14	48.5	94		
JXJ6	280	46	440	100	500	40	4	26	619	620	560	723	552	M20	90	28	106	140	50	16	54	107		